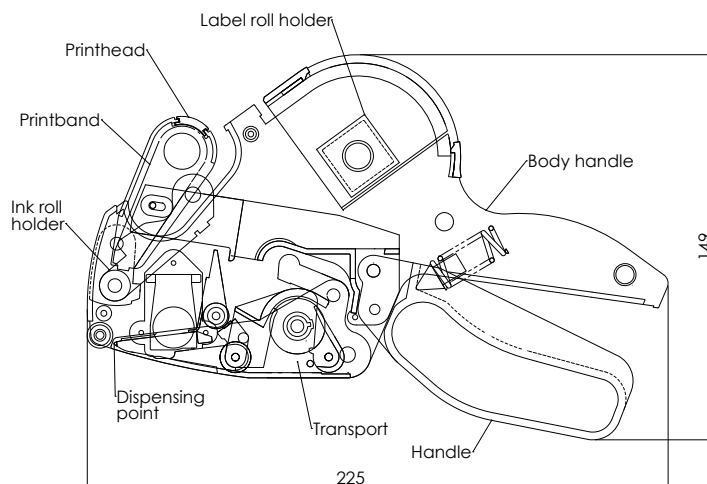


TECHNICAL DATASHEET - PRICE GUN

Meto Basic S



Technical Data

Tool type:	price gun
Manufacturer:	Meto International GmbH
Model:	Meto Basic S
Colour:	silver-teal
Tool size (LxWxH):	214 x 50 x 127 mm
Packaging size (LxWxH):	282 x 68 x 186 mm
Net weight (tool):	313 g
Gross weight:	489 g
Lines:	1
Digits:	6 - 8 print positions depending on the model
Print height:	4,3 mm
Label size:	22 x 12 mm
Main components:	label roll holder, handle, transport, ink roll holder, printband, printhead

Price gun material:

a) body, printhead, transport	ABS (51%), POM (24%) , PA (14%)
b) screws, springs	metals (9%)
c) printbands	elastomer (2%)

Label material:

a) face paper	paper *
b) adhesive	permanent, removable, deep freeze *
c) liner	kraft paper white *

Ink roll material:

a) ink roll holder	polyamide (PA 6)
b) foam body	mixed polyurethane foam
c) ink	black, type T-192, glycerin based

TECHNICAL DATASHEET - PRICE GUN

Packaging material:	230 g GD2, FSC Mix
Certification:	packaging: climate neutral production, FSC Mix
Transport (labels):	wheel
Warranty:	1 year
Scope of delivery:	price gun with labels and ink roll ready for use

Item list

30007803	Meto Basic S 622/12, price labelling
30007802	Meto Basic S 822/12, best-before date

*For more information please contact us directly at service@meto.com or visit us on www.meto.com/hls.